

PART NAME

OPEN RELAY RACK

PART No.

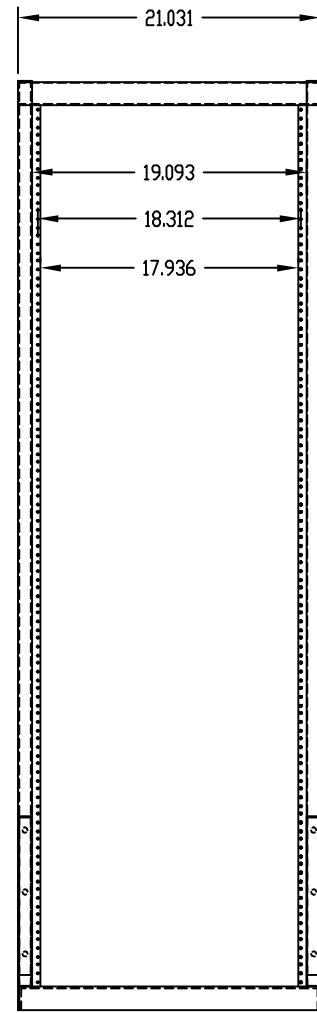
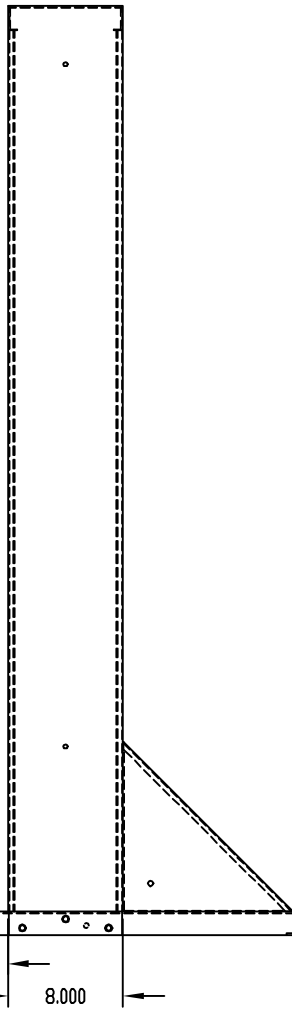
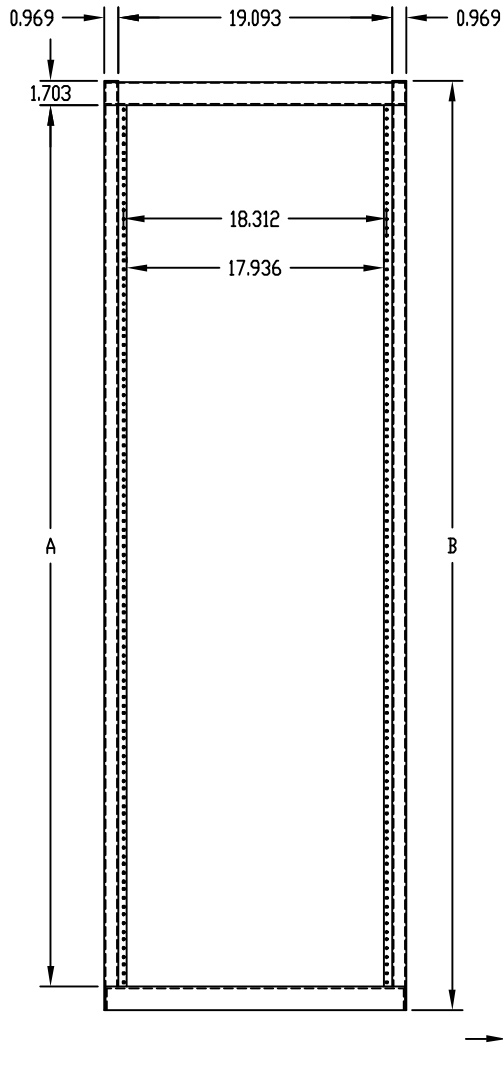
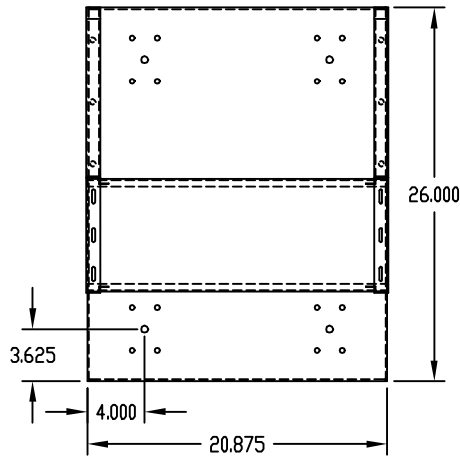
RR-1367 TO RR-1369

MATERIAL:

BASE _____ 12 GA. STEEL
 SUPPORT ANGLE & RAIL ASSEMBLY _____ 14 GA. STEEL

FINISH: METALLIC GRAY OR
 BLACK TEXTURED

PANEL MOUNTING FLANGES RECESSED 3/8 IN. AND
 TAPPED #10-32 ON E.I.A. UNIVERSAL SPACING.
 MOUNTING HOLES PIERCED IN BASE FOR #RC-7758 CASTERS.
 UNIT SHIPPED UNASSEMBLED.



| PART No. | A | B |
|----------|--------|--------|
| RR-1367 | 61.375 | 64.703 |
| RR-1368 | 70.125 | 73.453 |
| RR-1369 | 77.125 | 80.453 |